

cage *barstool* product sheet

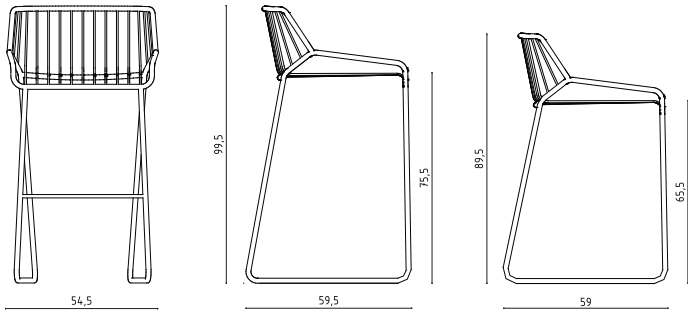


cage barstool

design: *Filip Gordon Frank*



The Cage Product family is characterized by a robust, yet airy and light construction. Galvanized and powder coated construction comes in a wide range of colors. Barstool version (pictured) is very stable and high back provides sufficient support for longer seating, chair is available in two heights. Pillow gives a visual completeness to the form of chair and it is available in a variety of fabrics and patterns.



Material: *Galvanised and powder coated steel*

Available colors:



white



black



anthracite

*other colours on request