

cage table

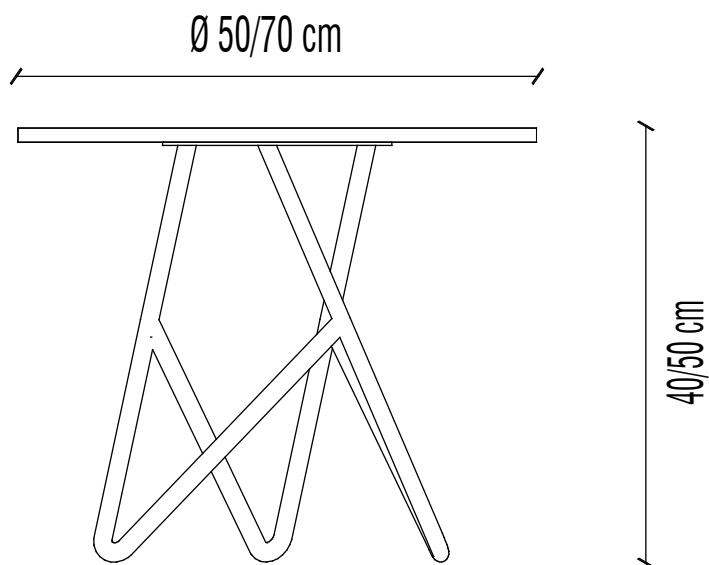
product sheet



cage table

design: *Filip Gordon Frank*

The Cage Product family is characterized by a robust, yet airy and light construction. Galvanized and powder coated construction comes in a wide range of colors. Cage coffee table relies on its family shape, table top is made of HPL.



Material: powder coated steel, max compact (HPL)

Available colors:



white



black



anthracite

*other colours on request