

carte blanche

product sheet



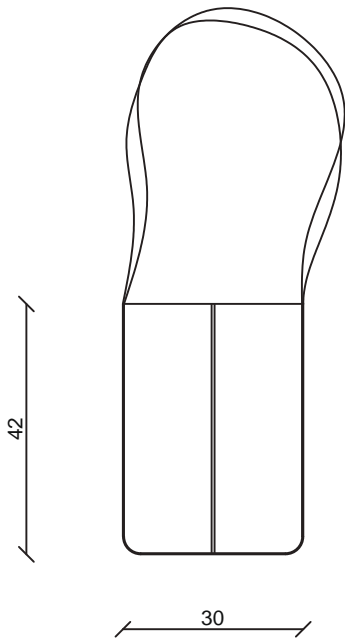
carte blanche

design: *Filip Gordon Frank*



Carte Blanche, a simple and light A3 size bag made of Tyvek® with adjustable polypropylene strap. It is suitable for carrying a towel to the beach as well as a laptop of up to 17". Front side features a large handy pocket to keep the keys or a wallet within a reach.

Material: *tyvek fabric and polypropylene*



- Available colors:
- white
 - black
 - magenta
 - cyan