

styx product sheet



styx

design: *Filip Gordon Frank & Iva Frank*



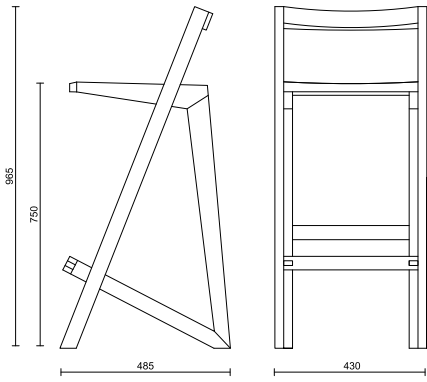
Barstool suitable for both private and public use, made in solid oak or beech wood, depending on a version. Its durable construction is characterized by two separate interlocked elements.

Styx takes its aesthetics from a traditional domestic kitchen chair but re-interprets the function allowing it to cross domestic boundaries to public spaces, yet giving it a well known familiar feel. Despite its changed proportions compared to a classical dining chair, it still remains fully comfortable and functional.

Available versions: - oil/wax natural oak finish
- lacquer/natural oak finish
- lacquer (white and black standard, other colors available on demand)




styx

design: Filip Gordon Frank & Iva Frank



STYX

Versions

-  Natural oiled and waxed
-  Natural oiled and waxed/lacquered
-  Lacquered

Material: *solid oak/solid beech when lacquered*
